

SPECIFICATIONS

PRO 80

PRO 500

PRO 1000 / PRO 1000 EVO

FEATURES

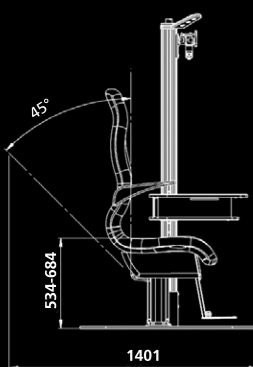
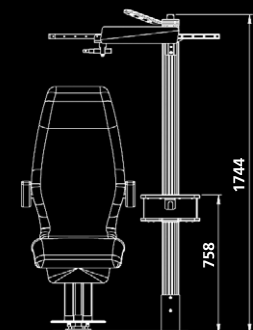
Table.....	rotating 90°, laterally movable, for 2 units	rotating 90°, laterally movable, for 2 units	rotating 90°, laterally movable, for 2 units
Table height adjustment.....	no	no	electrical ±10 cm, 82-92 cm (PRO 1000 EVO only)
Table lock.....	mechanic	mechanic	mechanic (PRO 1000) / magnetic (PRO 1000 EVO)
Patient chair height approx.	SC 500 44 cm, ER 500 53 cm	SC 500 44 cm, ER 500 53 cm	SC 500 44 cm, ER 500 53 cm
Patient chair elevation.....	±15 cm	±15 cm	±15 cm
Nominal lifting capacity approx.	120 kg	120 kg	120 kg
Projector column height approx.	170 cm	170 cm	170 cm
Connectors.....	2x power outlet (230V), 1x RS-232, 1x 5-pin (6V / 12V), 1x LAN, 1x USB 2.0	2x power outlet (230V), 1x RS-232, 1x 5-pin (6V / 12V), 1x LAN, 1x USB 2.0	2x power outlet (230V), 1x RS-232, 1x 5-pin (6V / 12V), 1x LAN, 1x USB 2.0
Reading light.....	white LED 12V	white LED 12V	white LED 12V
Internal light.....	no	white LED 12V	RGB LED 12V

ELECTRIC REQUIREMENTS & WEIGHT

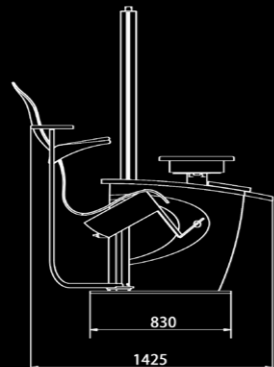
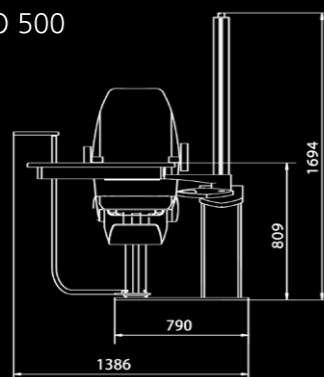
Power consumption.....	280VA	280VA	280VA
Power supply.....	110 / 115V AC / 230V AC ±10%	110 / 115V AC / 230V AC ±10%	110 / 115V AC / 230V AC ±10%
Total weight approx. (without chair).....	108 kg	172 kg	195 / 215 kg

DIMENSIONS

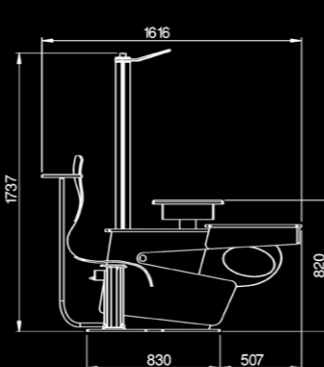
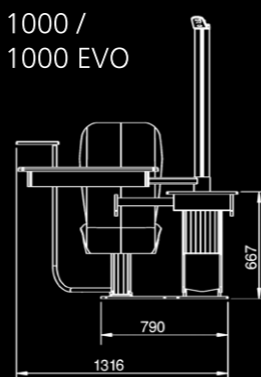
PRO 80



PRO 500



PRO 1000 / PRO 1000 EVO



2018/11 – subject to change without notice



PLUG & TOUCH BY RODENSTOCK

Elegance, comfort, performance. Personified.



REFRACTION UNIT LINE „PRO“

- Easy to install (right or left handed operation)
- Comfortable motorised chairs with tilting and rotating action (ER 500R)
- Electrically controlled height adjustment of device table (PRO 1000 EVO)
- Magnetic lock of device table (PRO 1000 EVO)
- Space-saving with integrated accessories drawer (PRO 1000 / PRO 1000 EVO)
- Personal touch with individual internal LED light (PRO 1000 / PRO 1000 EVO)



BK FRAMES

14350 NW 56th Court Unit # 115 Miami, FL 33054 USA

Phone: 305-685-0001 | WhatsApp +1 305-685-0001 | Fax: 305-685-0009

bkframes@bkframes.com | www.bkframes.com

RODENSTOCK Instruments. In touch with your needs.

R
RODENSTOCK

QUALITY IN DETAIL



Portray your excellence confidently with one of the Rodenstock refraction units. Representing the ultimate combination of comfort, elegance and functionality, our Rodenstock refraction units deliver maximum flexibility and convenience in a remarkably compact footprint. Each model is preconfigured for Rodenstock equipment.

PRO 80 / PRO 500:

Please choose your preferred chair and the phoropter arm as well. We have three different chairs and two phoropter arms (see pictures below and next page).



PRO 500 with SC 500 and PA 1000



PRO 80 with ER 500

Chairs

ER 500R

Electrical reclinable and rotatable chair with arm and footrest (weight 47 kg)

ER 500

Electrical reclinable chair with arm and footrest (weight 45 kg)

SC 500

Standard chair, height adjustable (weight 18 kg)



ER 500R



ER 500



SC 500

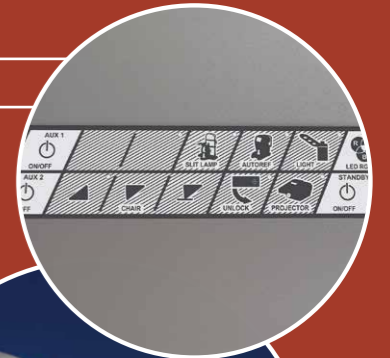
PRO 1000 EVO

The new PRO 1000 EVO differs in these new features:

- electrical height adjustment of device table
- electro-magnetic break for device table

Keyboard

Multifunctional and intuitive



LED reading light

Bright and persistent



Integrated drawer

e.g. for trial lenses



Individual colour adjustment due to RGB LED (colour sample)

Phoropter arms

PA 1000

Phoropter arm „Balance“

PA 2000

Phoropter arm „Linear“



PA 1000



PA 2000