

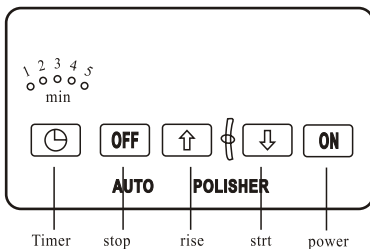
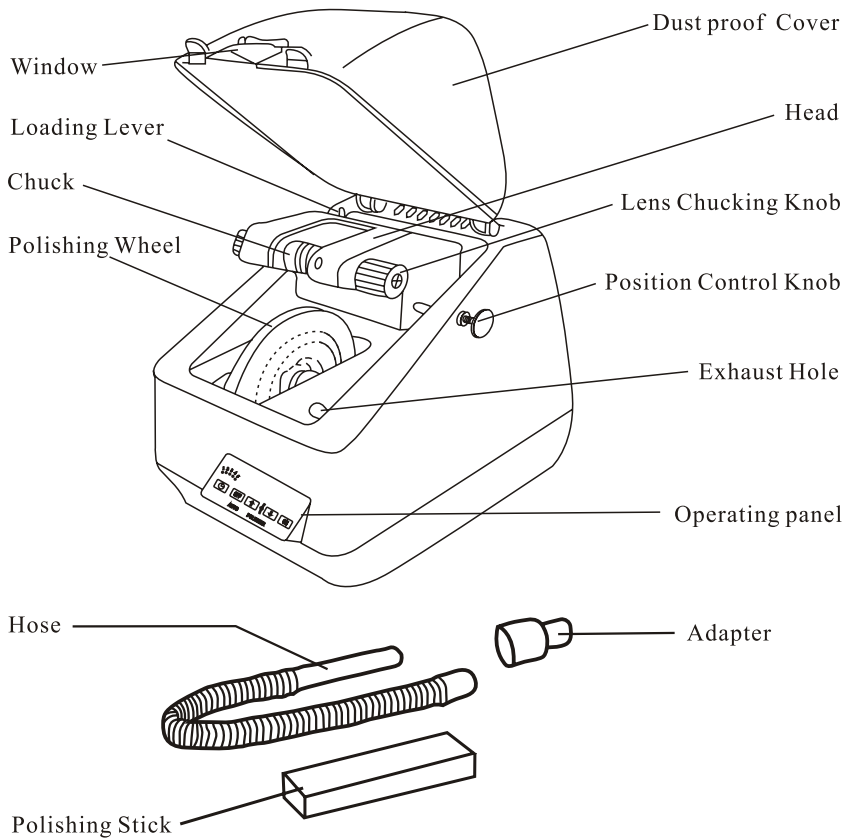
## Contents

1.safety precautions.....	1
2.Accessaries and mechanisms .....	2
3.Preparation before operation.....	3
4.Operation Instruction.....	4
5.Maintenance Replacing the polishing wheel.....	5
6.Main technical indexes.....	6
6.Common trouble-shooting.....	6

## 1. Safety precautions

- (1) Don't start the machine before you read this manual over and grasp all the instructions and rules.
- (2) Don't use the machine for any other purposes than polishing the lens edge.
- (3) Don't unload the unit at will ;if need, please finish under an expert in this line.
- (4) While the machine is working don't touch the running polishing wheel to avoid getting injured.
- (5) To prevent shock hazard or trouble, do not expose the unit to rain or moisture.
- (6) On removing, replacing the polishing wheel, checking or when the unit will not be used for a long time, make sure to pull the Power plug out of the wall socket.
- (7) Don't leave the unit in a location near heat sources or inflammables such as gasoline, thinner or benzene.
- (8) On operating the unit, close the dustproof cover and use the dust cleaner. and make sure to ground the unit.

## 2. Accessories and mechanisms




### 3. Preparation before operation

#### (1).Setting up a dust cleaner

- Use your own dust cleaner and make it work whenever the lens is polished,so that any dust of polish may not remain in the machine.
- Exchange the power plug of your dust cleaner with the accessory 3-pin plug so that it may be connected to the “AC in 220V jack” located on the back of the machine and the dust cleaner may be tuned on and off automatically with the unit power switch.
- To connect the dust cleaner to the unit, follow the procedures below:

Connect the cleaner`s plug to AC in 220V jack of the unit, and change over the AUTO/MANUAL SWITCH to AUTO.

 **CAUTION** Prepare a dust cleaner whose power consumption is less than 600W.

Attach the adapter to the hose of the vacuum cleaner and insert it in an opening in the back of the unit.

Use the vacuum cleaner at the weak power mode.

The exhaust hole doesn`t draw well when the leaner is full with

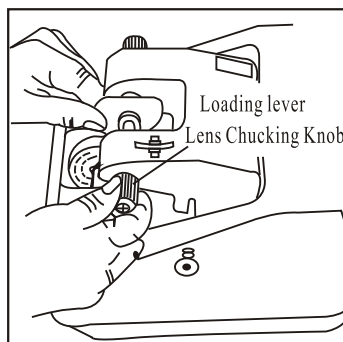
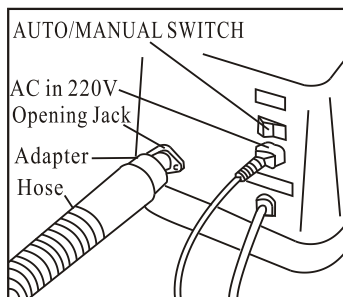
### 4. Operation Instruction

#### (1).Setting a lens

Chuck center of a lens with the convex side facing the right. To prevent breakage of the lens, do not tighten lens chucking knob too much.

#### (2).Setting the loading lever

Low:Select Low mode normally for all the CR-39 lenses



High:Select High mode for the plastic Hi-index.Mineral glass or thick CR - 39 lens.

Extra Light:Select Extra Light for all the polycarbonate or extremely thin CR - 39 lens.

(3).Putting polish

Close the dustproof cover,press the power switch button to turn the machine on. Then press the polishing stick through the window against the running polishing wheel to put polish on it enough.

Note:If the polish is insufficient,the working time will be longer.

(4).Setting the timer

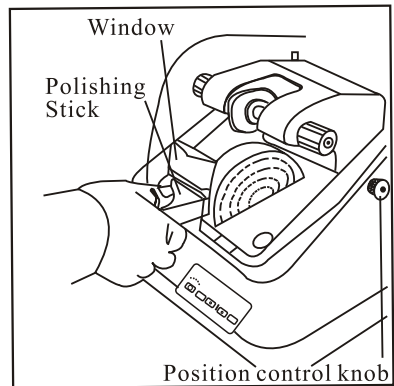
Set the timer for working time according to the following standard;

CR-39 lens:graduations 2-3  
Plastic Hi-index:3-5 Polycarbonate:1-2(1 graduation is approx.50 sec.)

(5).Polishing

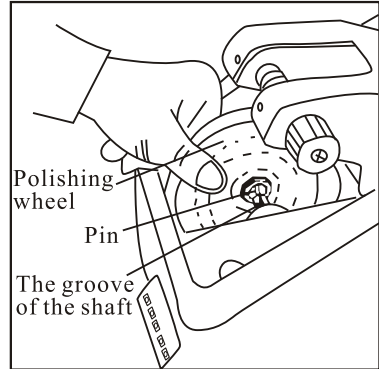
Press the STARD/STOP

SWITCH down to start the polishing process.The machine head comes down with the lens running on.Using the position control knob,you can slide the lens to an appropriate place against the polishing wheel at any time. Machine head is automatically resumed and stopped after finishing the polishing process.



## 5.Maintenance Replacing the polishing wheel

**⚠ CAUTION** Before you replace the polishing wheel, make sure to disconnect the machine plug from the electrical outlet. To remove the polishing wheel, pull it toward the left.

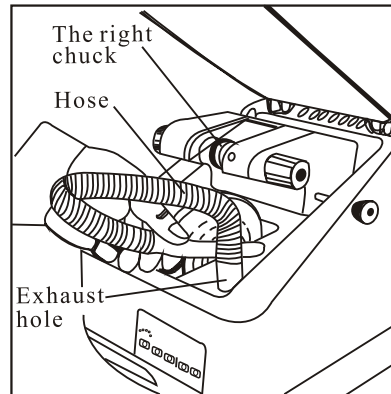


(1).To attach the polishing wheel, insert it into the shaft properly with the pin of the wheel to be fitted into the groove of the shaft.

(2).Repairing the polishing wheel  
Cut off the hanging thread with scissors.

(3).Cleaning

When the inside of the unit becomes dusty, clean it with the hose inserting into the exhaust hole and changing the AUTO/MANUAL SWITCH on the backside to MANUAL.



(4).Washing the chuck rubber  
To avoid scratching the coating of the lens, wash the chucking rubber sometimes and keep it clean.

(5).Oiling

When the right chuck doesn't run easily, it needs oiling. Pull it toward the left and lubricate it with oil or grease.

## 6.Main technical indexes

Power sources: 110V 50, 60Hz/220V 50Hz

Power consumption: 140W the Unit dimension:214×270×240mm

Net weight: 6.7 kgs                      Timer: 0 - 5 minutes

Size of polishing wheel: O.D. 115mm(max), Thickness 10mm

Supplied accessories

polishing stick 22×16×110mm (with case)                      Hose

## 7.Common trouble-shooting

(1).Problem:

The main power is cut off by chance when you polish the lens, but the head can't resume its original position ( i.e. The head is still in the low position)after restarting the machine.

Solution:

Please operate the machine according to following steps:press“ON” button,press “ ↓ ” button,press “ ↑ ” button.The head will resume its original position and then you can operate the machine according to our operating Manual for normal use.

(2).Problem:

You operate the machine on condition that the polishing wheel isn't fixed yet,or the polishing wheel is so worn that it must be replaced, or the polishing wheel is so worn that the head sinks down too much, you will find that the head can't resume its original position after finishing the polishing process.

Solution:

<2-1> Made sure the power is connected, then press “ON” button and then lift the black knob with care, the head will resume its original position.

<2-2> Generally, the allowance D must be 3-4mm before operating the machine. If not, you must adjust the screw of damper and set  $D = 3-4\text{mm}$  according to the drawings below. Remark: the allowance D means the distance between the front upper side of the head and the edge of upper casing before operating the machine.

